

| REVISIONS - ALL SHEETS SAME REVISION STATUS | | | | |
|---|-----|----------------------------|-------------------|----------|
| ZONE | LTR | DESCRIPTION | DATE (YYYY-MM-DD) | APPROVED |
| - | - | INITIAL RELEASE ERR 117819 | 2013-01-29 | CA |

NOTES:

- RECOMMENDED SCREW MOUNTING TOQUE: 16 - 20 IN -OZ.
- WHEN RE-INSERTING CAP, PRESS CAP IN UNTIL CAP SNAPS INTO PLACE.
- SWITCH ASSEMBLY SHALL BE MARKED WITH THE FOLLOWING:

- "KORRY"
- SOURCE CODE
- DATE CODE
- KORRY SWITCH ASSEMBLY PART NUMBER
- THE WORD "TOP" APPROX. AS SHOWN
- NVIS TYPE, CLASS (IF APPLICABLE)

- SWITCH ACTION:

ALT - ALTERNATE: WHEN ACTUATED BY DEPRESSING CAP, SWITCH CONTACTS ARE MAINTAINED UNTIL ACTUATED AGAIN, I.E. EACH ACTUATION REVERSES THE POSITIONS OF THE CONTACTS.

MOM - MOMENTARY ACTION: WHEN ACTUATED BE DEPRESSING CAP, SWITCH CONTACTS ARE MAINTAINED UNTIL CAP IS RELEASED.

IND - INDICATOR: NO SWITCHING

- SWITCH CONTACT RATING:

| VOLTAGE: 28 VDC | SEA LEVEL | 50,000 FEET |
|-----------------|-----------|-------------|
| RESISTIVE | 8 A | 4 A |
| INDUCTIVE | 4 A | 2.5 A |
| LAMP | 2.5 A | 2.5 A |

- VISIBLE LEGEND AREA REFERENCE ONLLY.

- SWITCHES TERMINAL ACCEPT CRIMP SOCKET M39029/57-354.

- SOCKET P/N M39029/57-354, NOT FURNISHED BY KORRY, MAY BE CRIPMED TO A 22, 24 OR 26 GAGE WIRE.
- USE TOOL P/N M81969/14-01, NOT FURNISHED BY KORRY, TO INSERT OR REMOVE SOCKETS INTO/FROM CONNECTOR MODULE ASSEMBLY.


- MAXIMUM DISPLAY INPUT CURRENT AT 28 VDC:

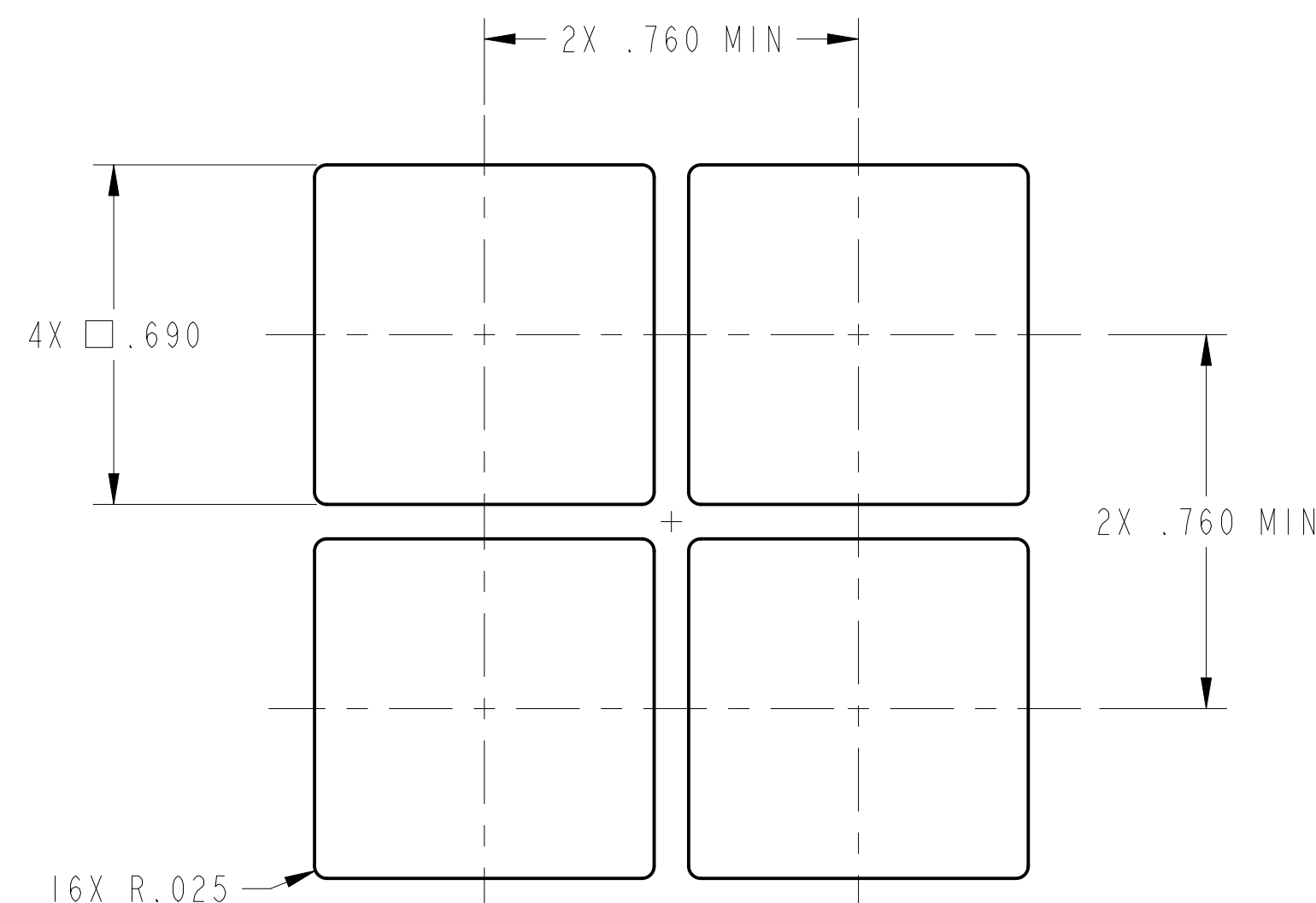
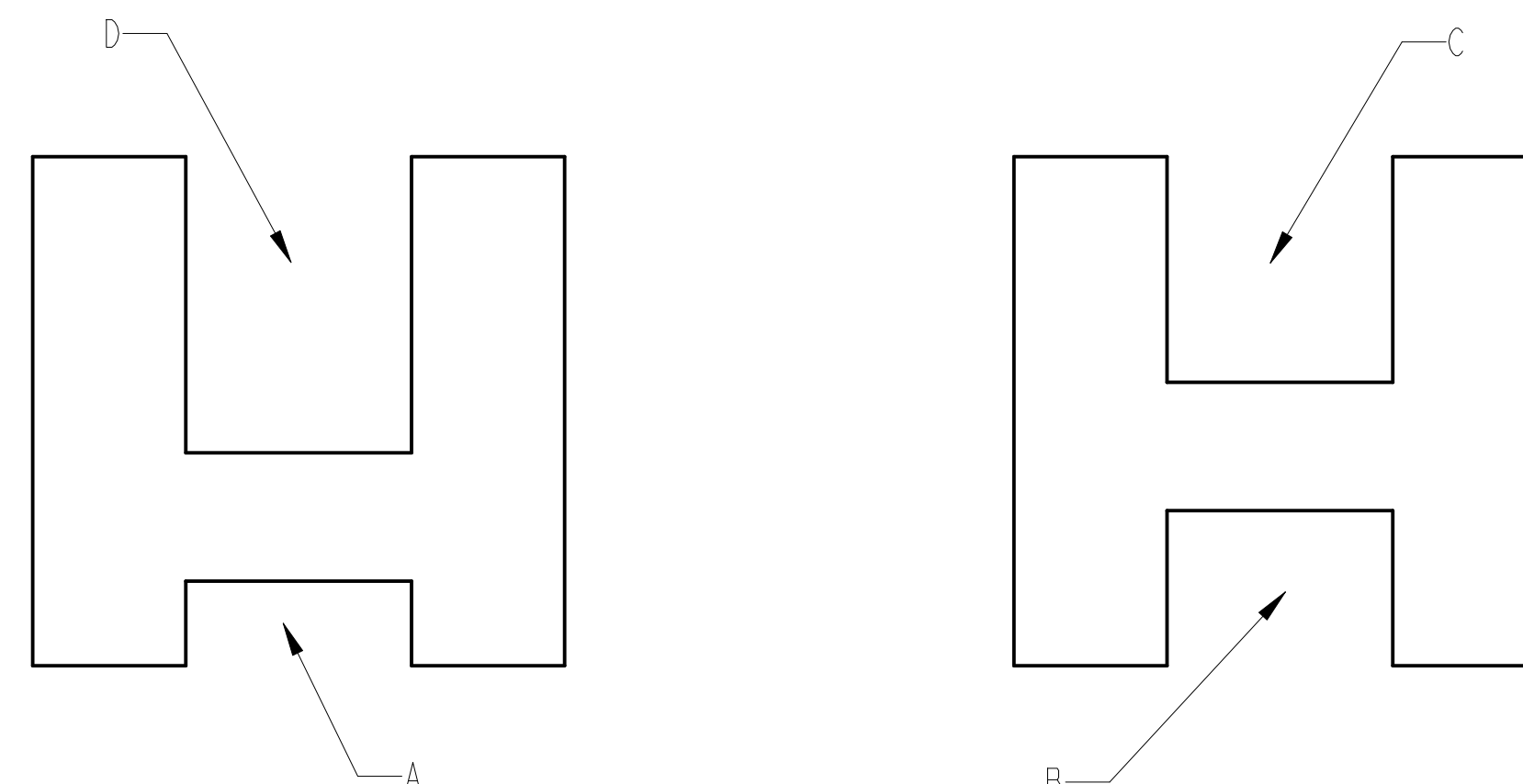
- FULL DISPLAY: 78 mA
- SPLIT DISPLAY: 52 mA

- RESISTORS R21-R24 MAY BE REMOVED FOR SPLIT, 3-WAY, AND 4-WAY CONFIGURATIONS SEE TABLE 1.

- VR5-VR8 MAY BE REMOVED TO SUPPORT 2G2 LIGHTING. DIM RESISTORS (R9-R12) WILL ALSO NEED TO BE SET FOR 2G2. SEE TABLE 2.

- MOUNTING SLEEVE RANGE:

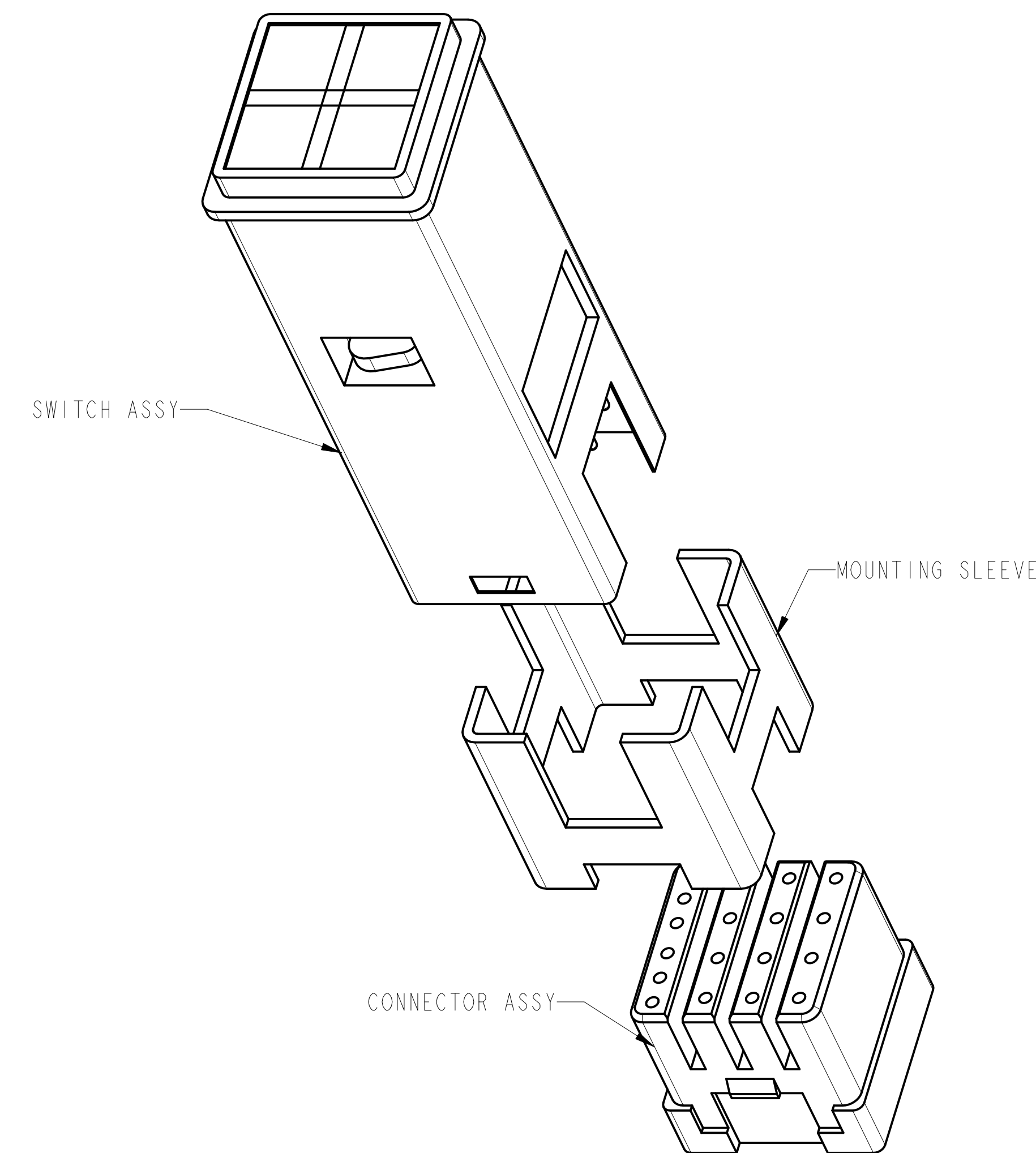
| TABULATION | |
|------------|--|
| SLOT | MOUNTING PANEL RANGE  |
| A | .032" TO .132" |
| B | .132" TO .232" |
| C | .232" TO .332" |
| D | .332" TO .432" |



SCALE 3/1

RECOMMENDED PANEL CUTOUT

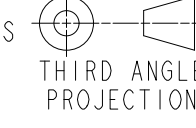
RELEASED BY DOCUMENT CENTER
FOR ONLINE VIEWING
CHECK REVISION IF PRINTED



SCALE 3/1

FOR REF ONLY

SEE SEPARATE PARTS LIST

| | | |
|--|---------|---|
| UNLESS OTHERWISE SPECIFIED, DIMENSIONS ARE IN INCHES | |  |
| TOLERANCES ON 2 PLACE | 3 PLACE | |
| ±.01 | ±.005 | ANGLES ±2.0 |
| INTERPRET DIM AND TOL PER ASME Y14.5M-1994 | | |
| INTERPRET DRAWING PER ASME Y14.100-2004 | | |
| NO CHANGES MAY BE MADE TO THIS DRAWING EXCEPT BY NATIVE CAD TOOL INPUT TO THE CAD FILE | | |

| | |
|----------------------------------|-------------------|
| CONTRACT NUMBER | |
| CONTRACTOR | |
| DRAWN BY | DATE (YYYY-MM-DD) |
| P. NGUYEN | 2010-10-08 |
| ENGINEER | DATE (YYYY-MM-DD) |
| D. SULLIVAN | 2010-10-08 |
| SEE RELEASE RECORD FOR APPROVALS | |
| SEE SEPARATE APPLICATION LIST | |

| | | | |
|-------------------------------------|-----------|---|-----|
| Esterline Control Systems | | Korry Electronics Co. 11910 Beverly Park Road Everett, WA 98204 | |
| TITLE | | | |
| 389 LED SWITCH ASSEMBLY | | | |
| SIZE | CAGE CODE | DRAWING NO | REV |
| D | 81590 | 41861 | - |
| SCALE | NONE | SHEET 1 OF 4 | |

Proprietary Notice: This document and all information and expression contained herein are the property of Korry Electronics Co. This document contains trade secrets protected by the Uniform Trade Secrets Act and the Economic Espionage Act of 1996, 18 USC 1831, et. seq., which are disclosed to you in confidence. Neither this document nor the trade secrets disclosed herein may be used, reproduced or disclosed (in whole or in part) by you for any purpose without the prior written permission of Korry Electronics Co.

NOTICE - FREEDOM OF INFORMATION ACT (5 USC 552) AND DISCLOSURE OF CONFIDENTIAL INFORMATION GENERALLY (18 USC 1905)
This document contains Korry proprietary information that is exempt from disclosure under the Freedom of Information Act, 5 USC 552(b)(4), and contains information that is prohibited from disclosure by the Trade Secrets Act, 18 USC 1905.

NOTICE: This document contains technical data subject to U.S. export controls. Based on jurisdictional analysis and classification/category analysis ...CAT 389...
This technical data is: Subject to: EAR ECCN:EAR99
This technical data defines or pertains to a product that is: Subject to: EAR ECCN:EAR99
This analysis is provided to assist recipients of this document in compliance with U.S. Export Laws and Regulations.

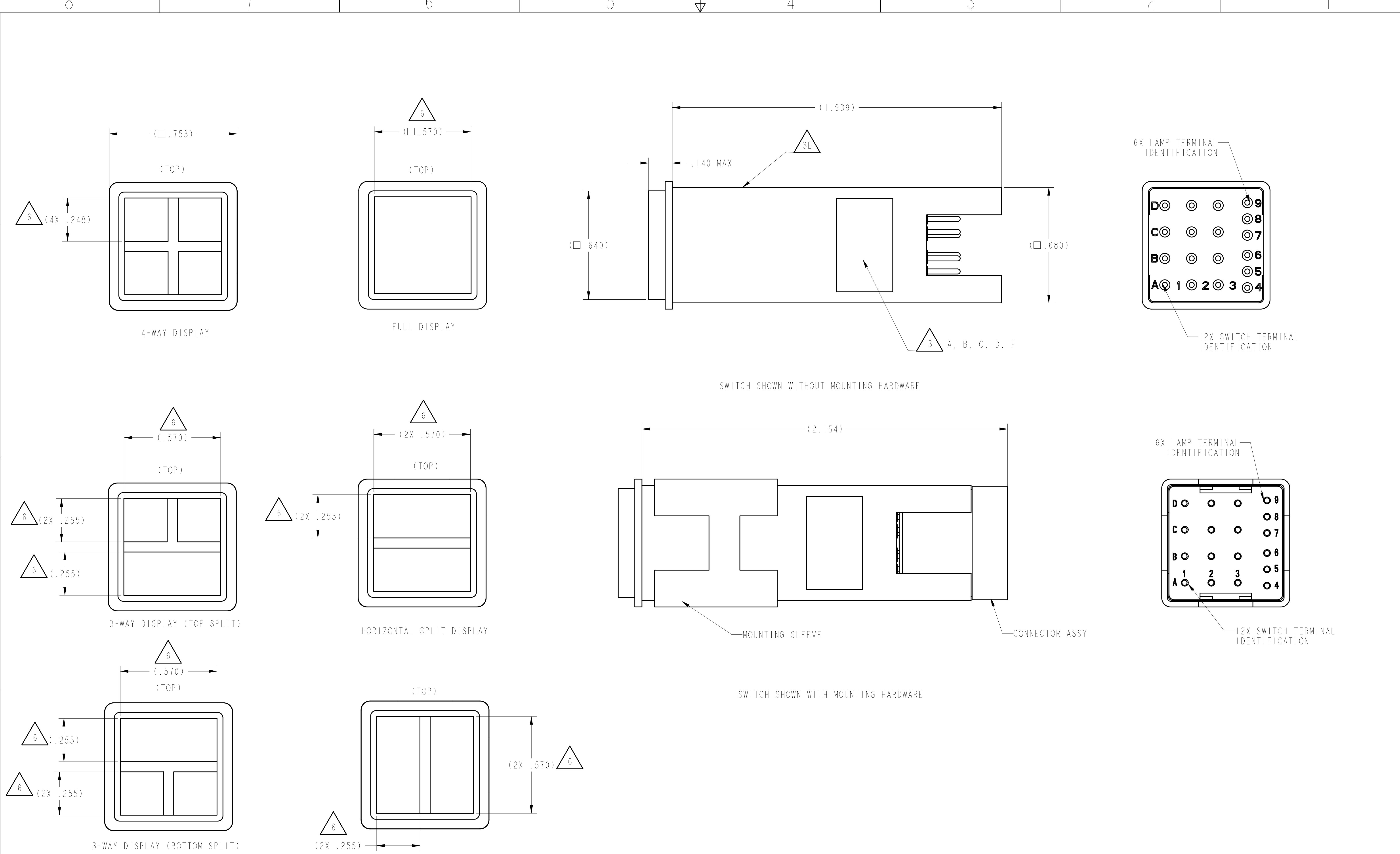


FIGURE 1: SWITCH ASSEMBLY

| | | | | | |
|---|--|------------|--------------------|---------------------|----------|
| NOTICE Use or disclosure of information on this sheet is subject to the restrictions on the first sheet of this document | | SIZE D | CAGE CODE 81590 | DRAWING NO 41861 | REV - |
| SCALE NONE | | SHEET 2 | | | |

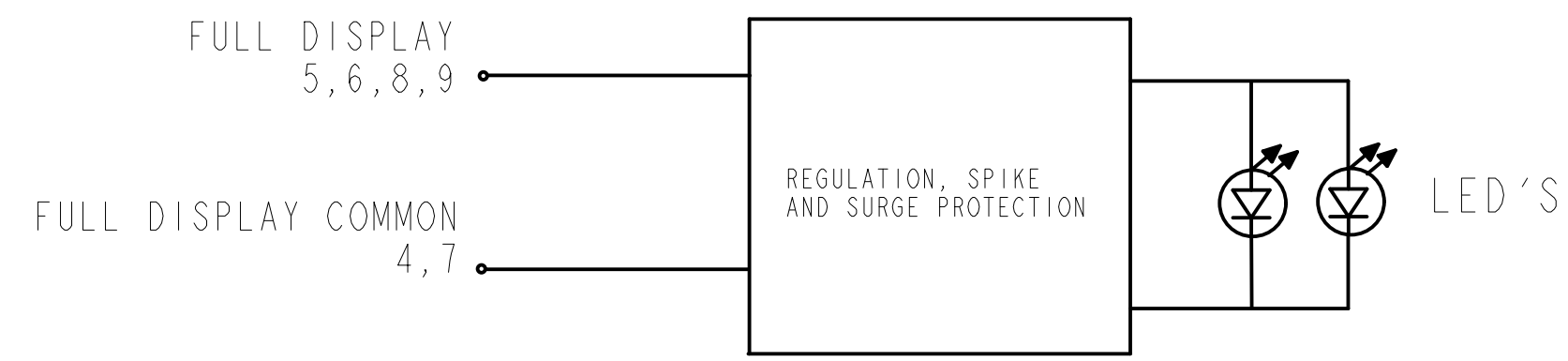


FIGURE 3: FULL DISPLAY (BIPOLAR)

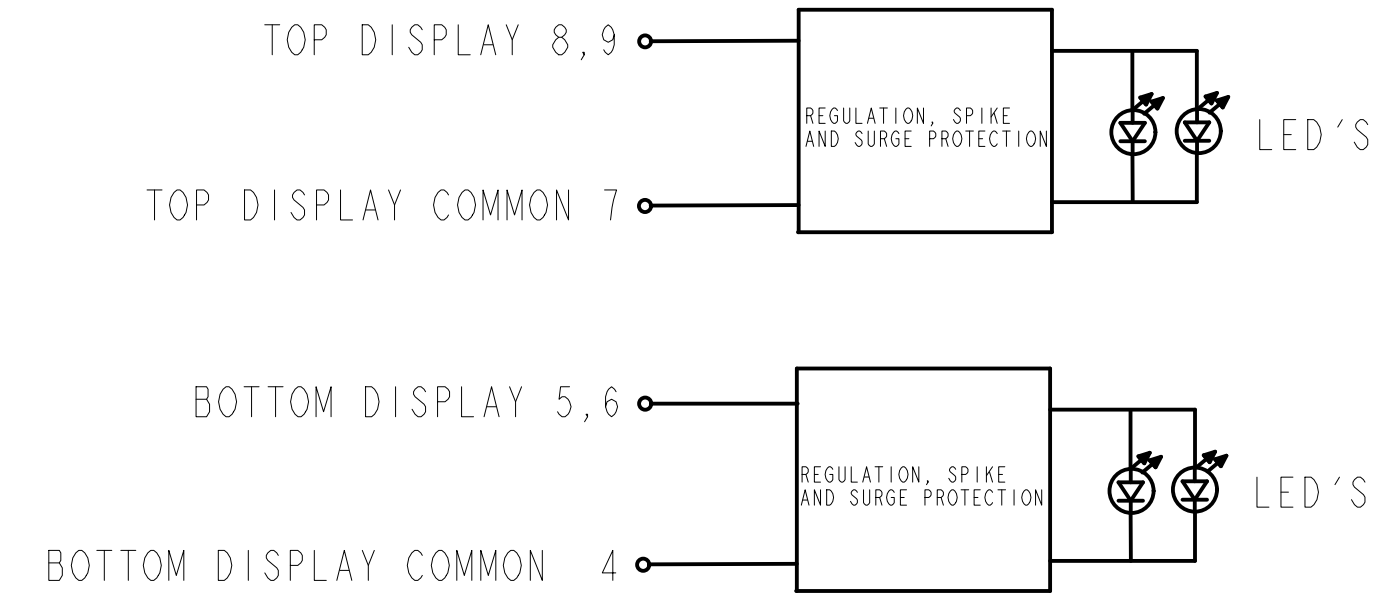


FIGURE 3A: HORIZONTAL SPLIT DISPLAY (BIPOLAR, SPLIT COMMON)

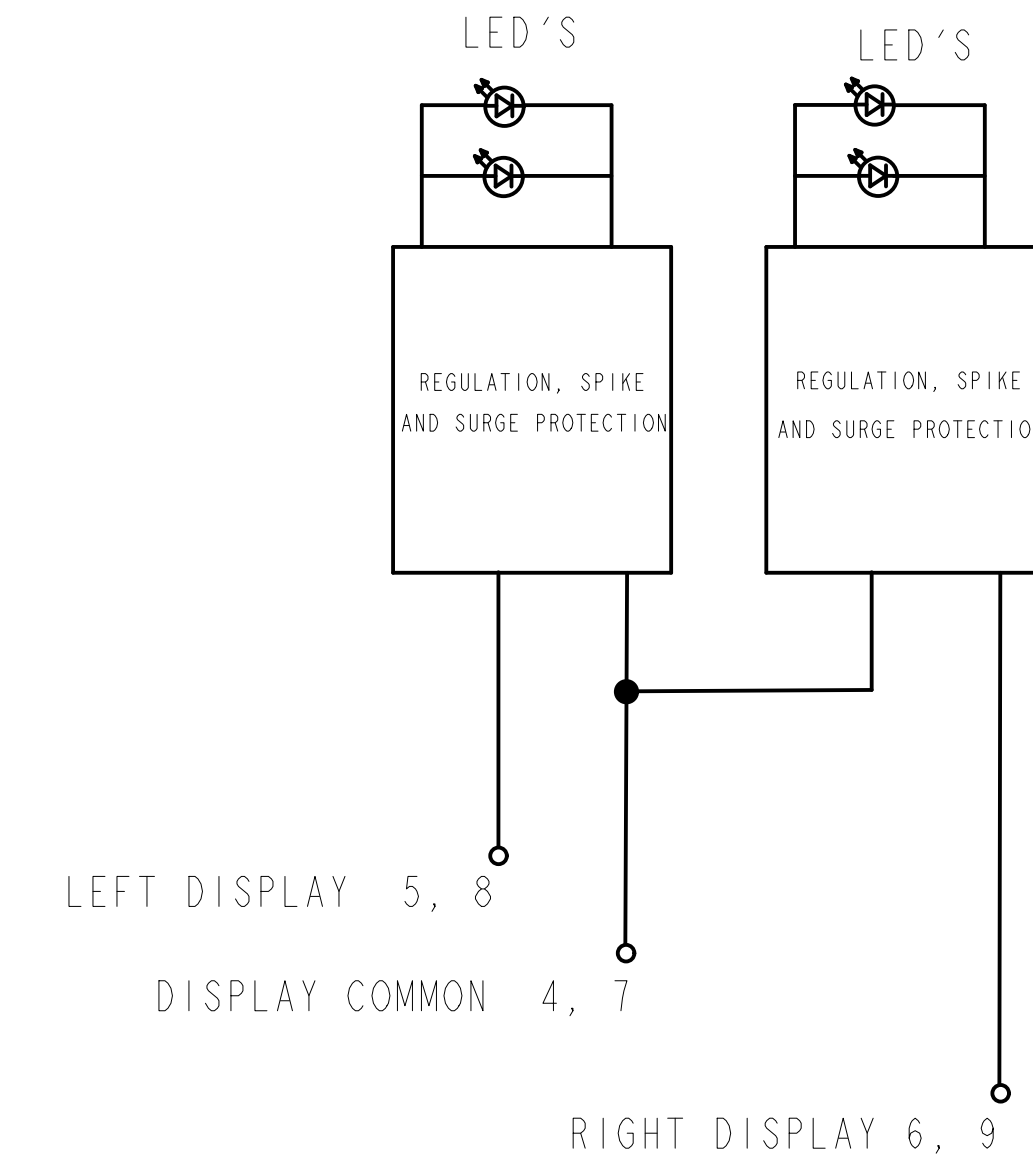


FIGURE 3C: VERTICAL SPLIT DISPLAY (BIPOLAR, SINGLE COMMON)

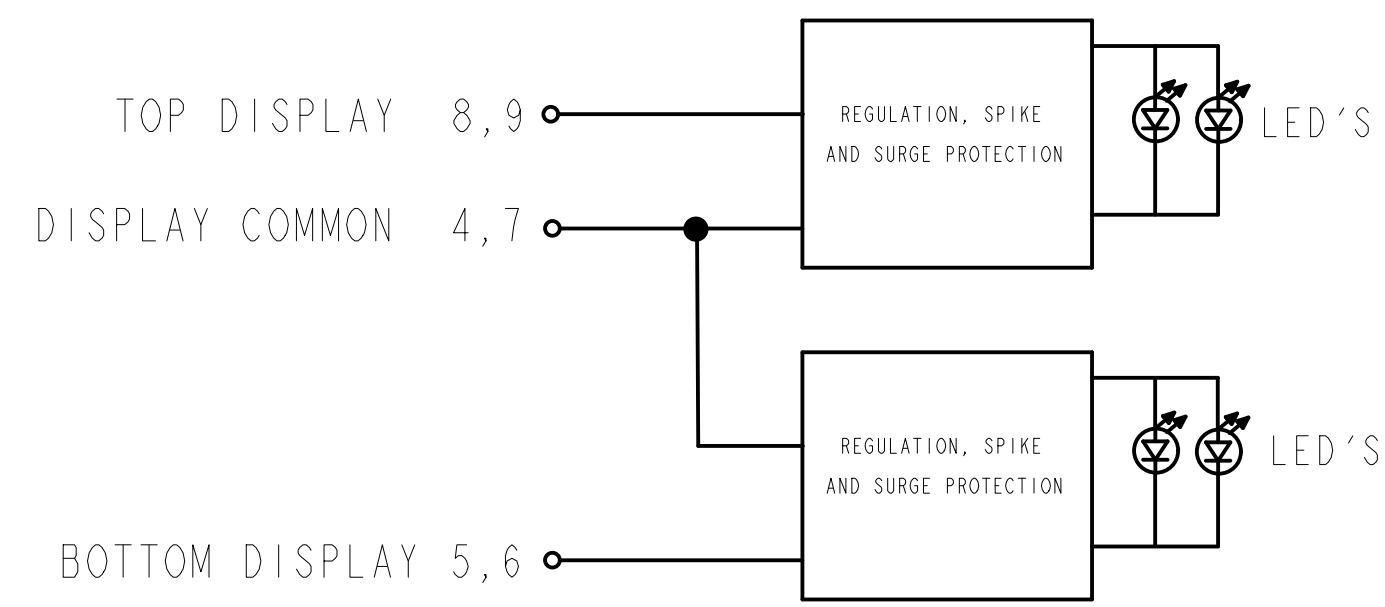


FIGURE 3B: HORIZONTAL SPLIT DISPLAY (BIPOLAR, SINGLE COMMON)

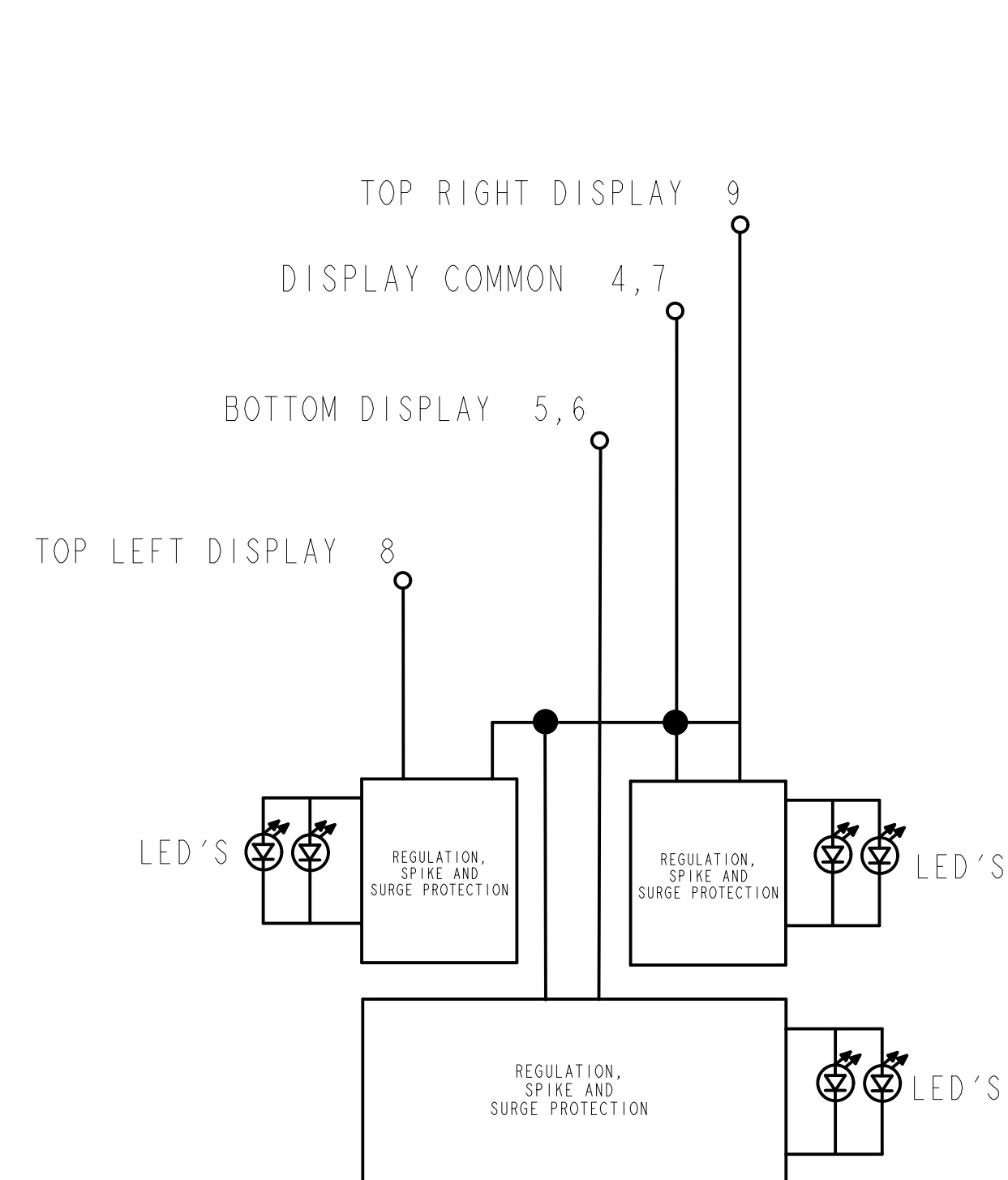


FIGURE 3F: 3-WAY DISPLAY (BIPOLAR, TOP QUARTER, BOTTOM HALF, SINGLE COMMON)

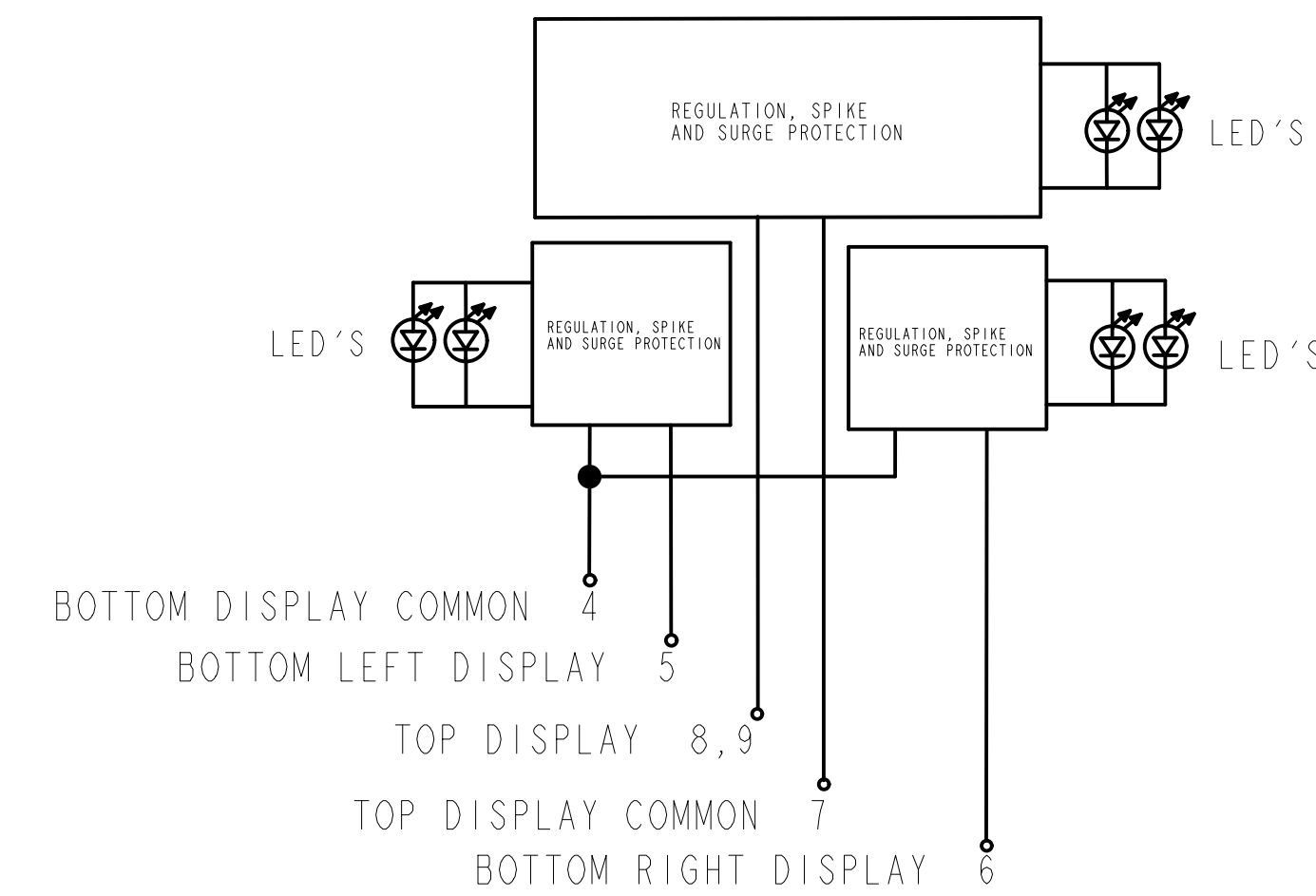


FIGURE 3D: 3-WAY DISPLAY (BIPOLAR, TOP HALF, BOTTOM QUARTER, SPLIT COMMON)

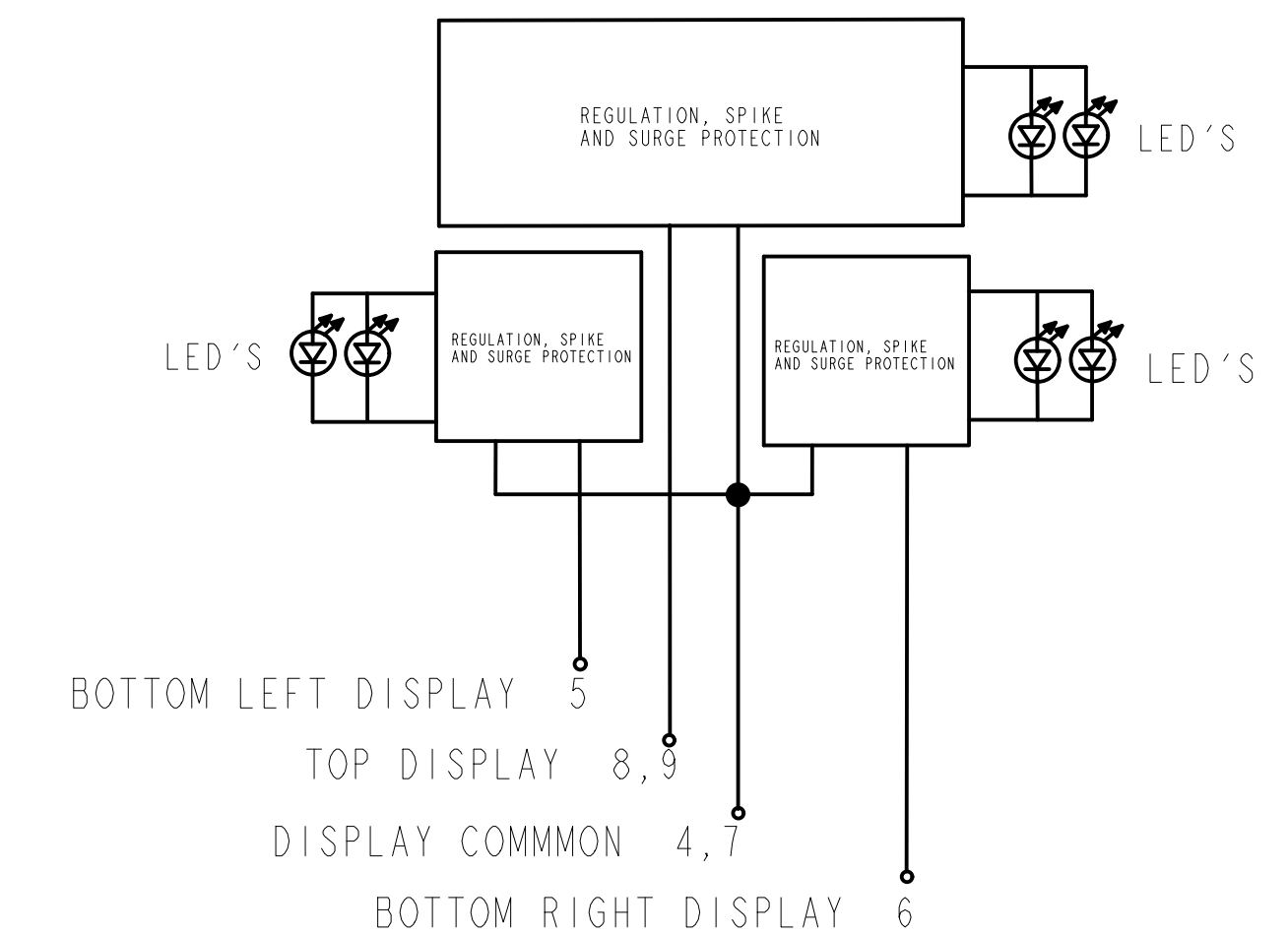
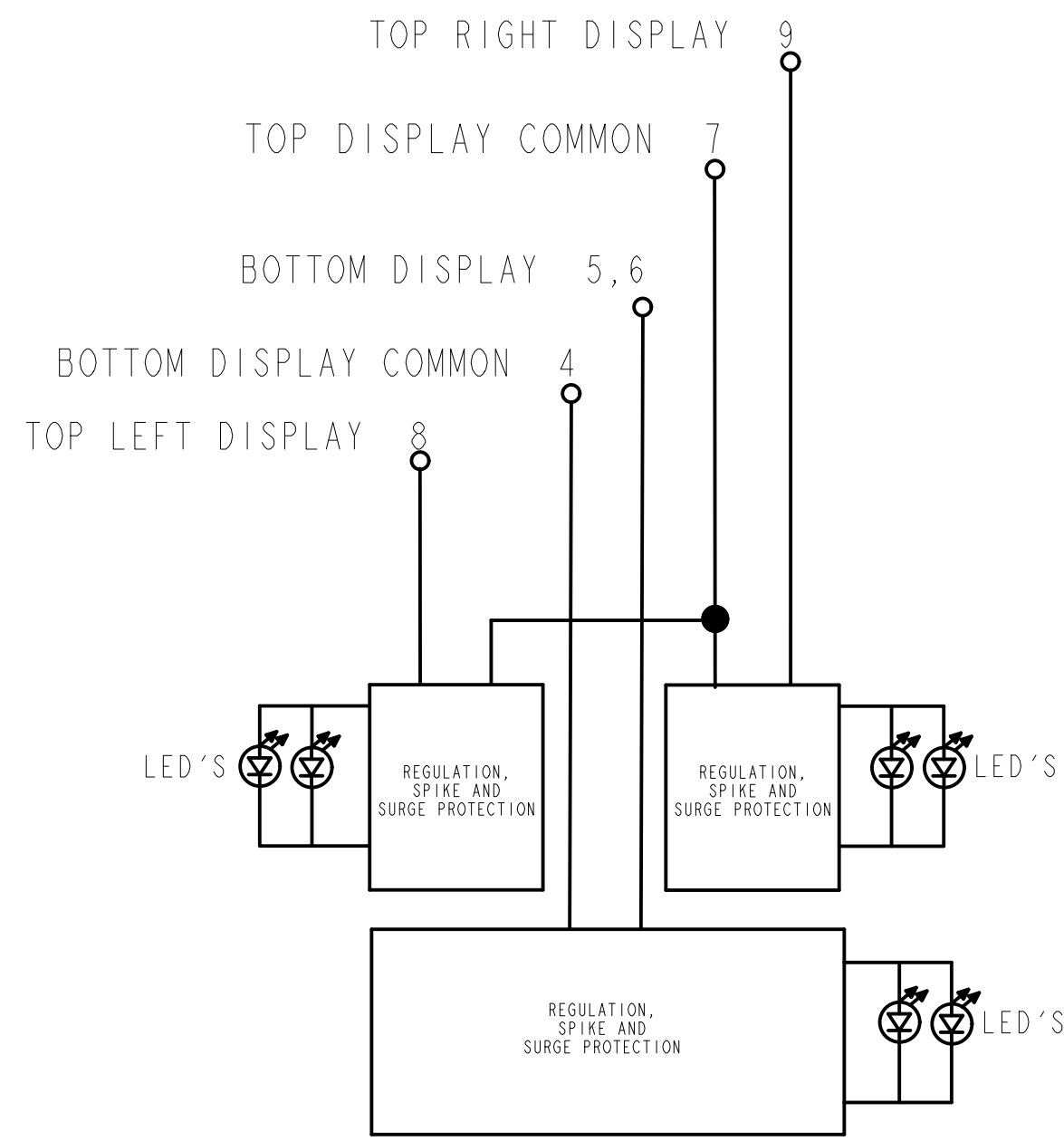
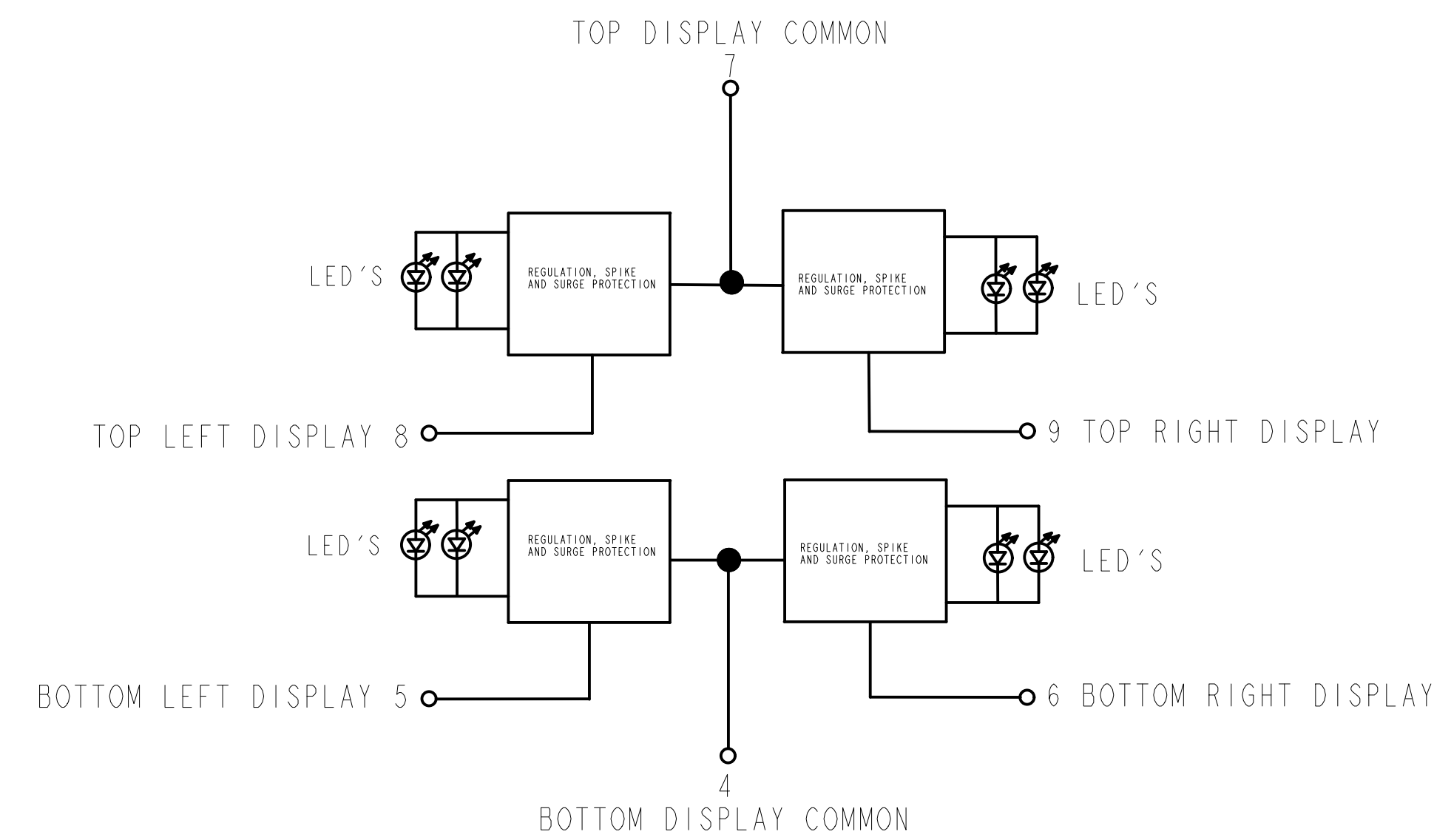


FIGURE 3E: 3-WAY DISPLAY (BIPOLAR, TOP HALF, BOTTOM QUARTER, SINGLE COMMON)

| | | | | | |
|---|--|------------|--------------------|---------------------|----------|
| NOTICE Use or disclosure of information on this sheet is subject to the restrictions on the first sheet of this document | | SIZE D | CAGE CODE 81590 | DRAWING NO 41861 | REV - |
| SCALE NONE | | SHEET 3 | | | |



**FIGURE 3G: 3-WAY DISPLAY
(BIPOlar, TOP QUARTER, BOTTOM HALF, SPLIT COMMON)**



**FIGURE 3H: 4-WAY DISPLAY
(BIPOlar, SPLIT COMMON)**

| FIGURE | CCA CONFIGURATION | ZERO OHM JUMPERS RESISTORS INSTALLED | ZERO OHM JUMPERS RESISTORS TO REMOVE |
|--------|--|---|---|
| 3 | FULL | R21-R25 | N/A |
| 3A | HORIZONTAL SPLIT (SPLIT COMMON) | R21, R22 | R23-R25 |
| 3B | HORIZONTAL SPLIT (SINGLE COMMON) | R21, R22, R25 | R23, R24 |
| 3C | VERTICAL SPLIT (SINGLE COMMON) | R23-R25 | R21, R22 |
| 3D | 3-WAY (SPLIT COMMON, TOP HALF, BOTTOM QUARTER) | R21 | R22-R25 |
| 3E | 3-WAY (SINGLE COMMON, TOP HALF, BOTTOM QUARTER) | R21, R25 | R22-R24 |
| 3F | 3-WAY (SINGLE COMMON, TOP QUARTER, BOTTOM HALF) | R22, R25 | R21, R23, R24 |
| 3G | 3-WAY (SPLIT COMMON, TOP QUARTER, BOTTOM HALF) | R22 | R21, R23-R25 |
| 3H | 4-WAY (SPLIT COMMON) | N/A | R21-R25 |
| 3I | 4-WAY (SINGLE COMMON) | R25 | R21-R24 |

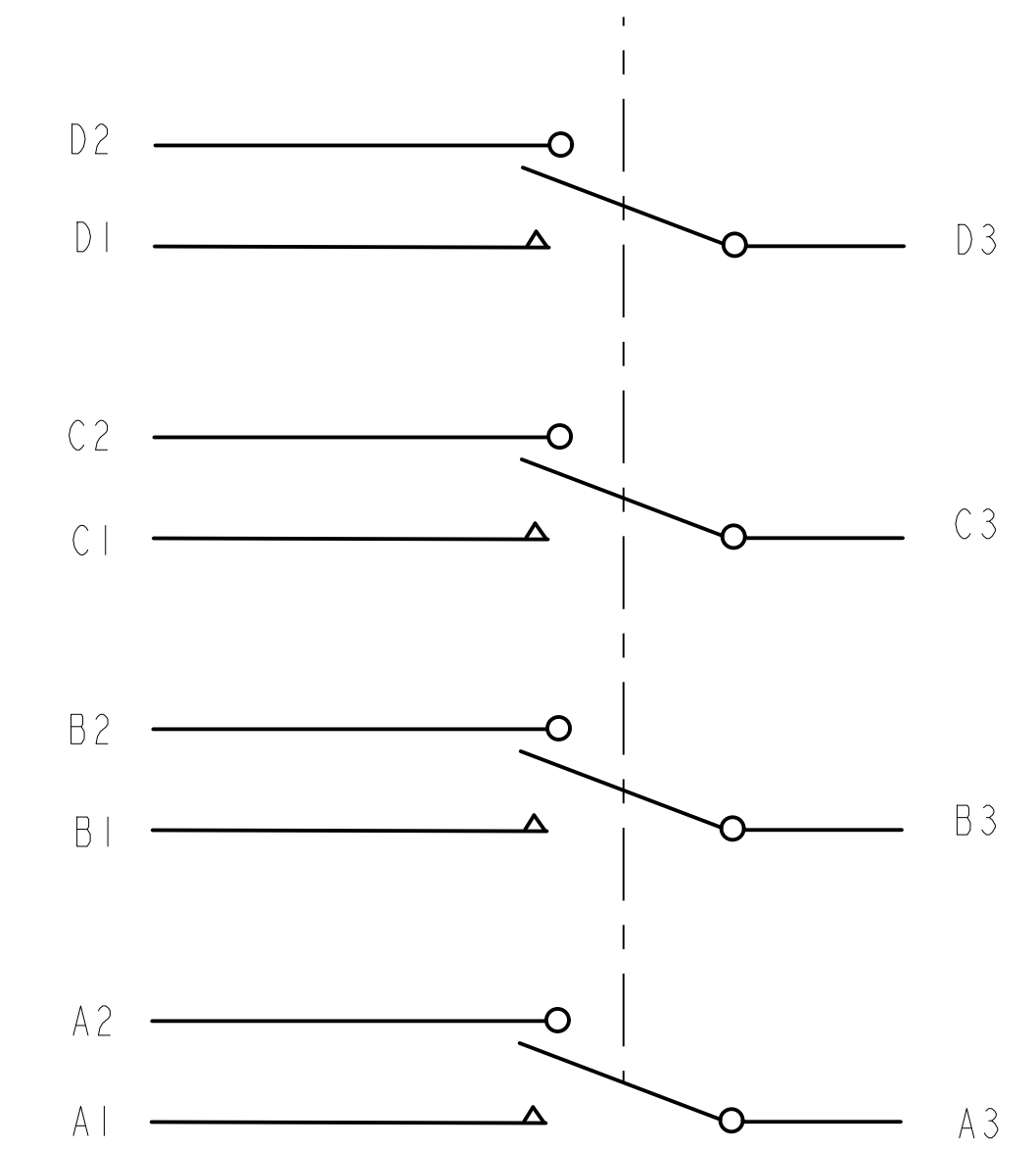
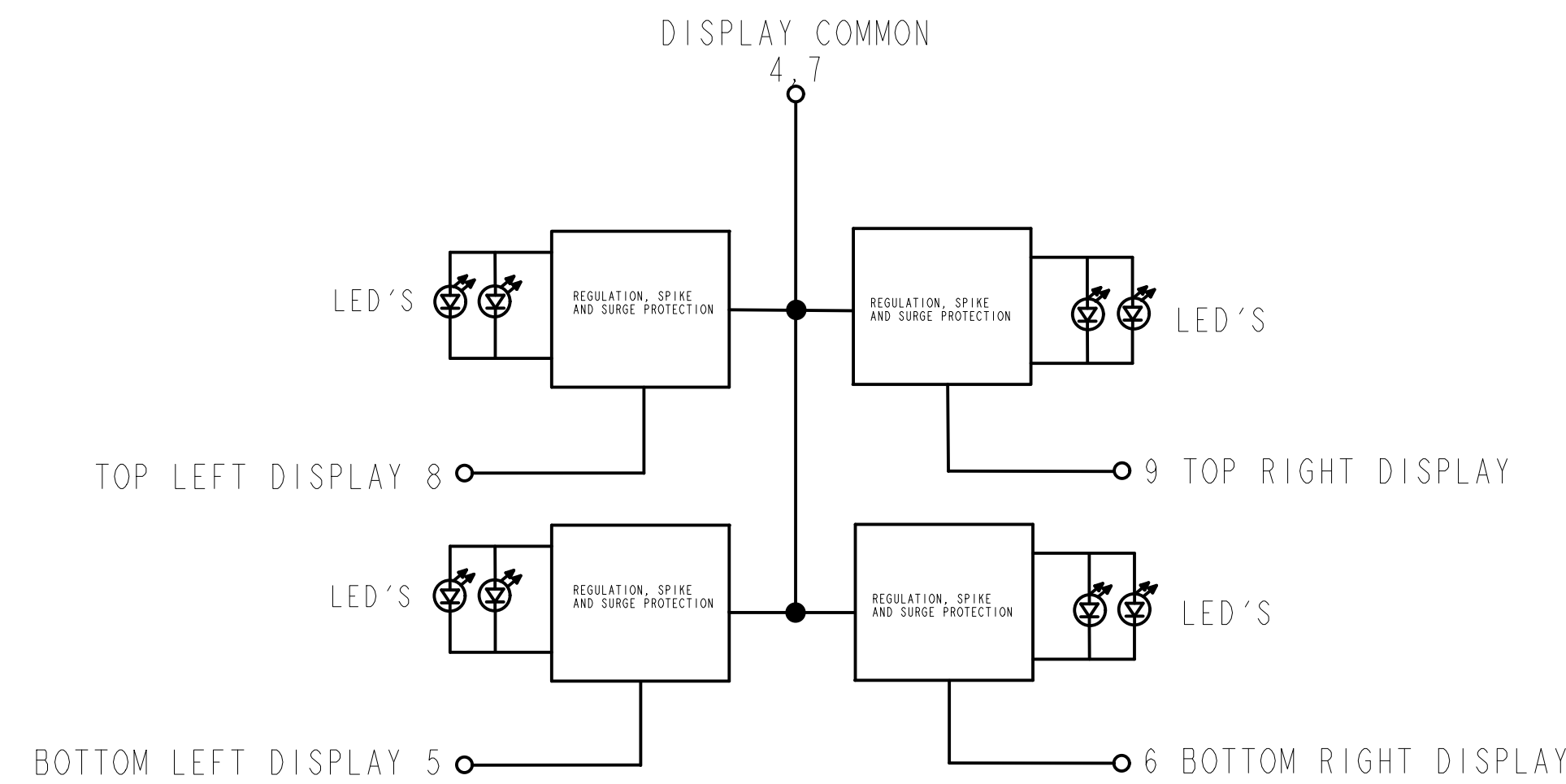


FIGURE 2: SWITCH CIRCUIT DIAGRAM



**FIGURE 3I: 4-WAY DISPLAY
(BIPOlar, SINGLE COMMON)**

| 2G2 QUADRANT | ZENER DIODE TO REMOVE | DIM RESISTOR TO REPLACE WITH SMR0603T1002F (10KΩ) |
|--------------|--------------------------|--|
| TOP RIGHT | VR5 | R9 |
| TOP LEFT | VR6 | R10 |
| BOTTOM RIGHT | VR7 | R11 |
| BOTTOM LEFT | VR8 | R12 |

| | | | | | | | |
|---|--|--|--|---------------|--------------------|---------------------|----------|
| NOTICE Use or disclosure of information on this sheet is subject to the restrictions on the first sheet of this document | | | | SIZE D | CAGE CODE 81590 | DRAWING NO 41861 | REV - |
| | | | | SCALE NONE | SHEET 4 | | |